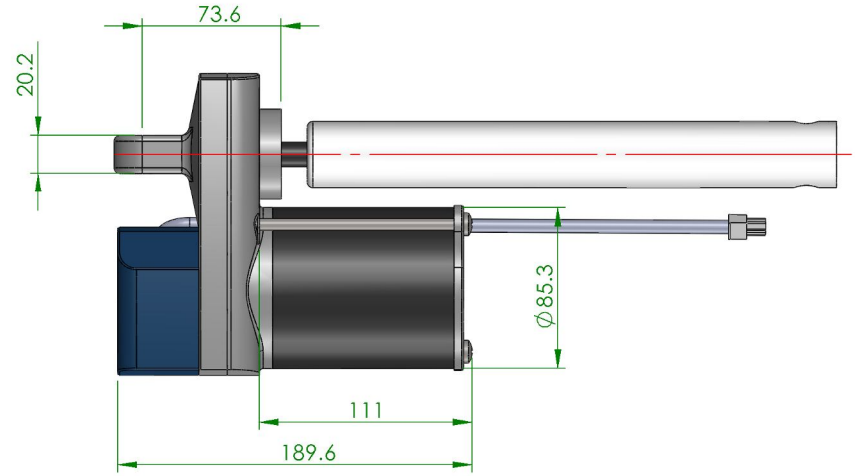
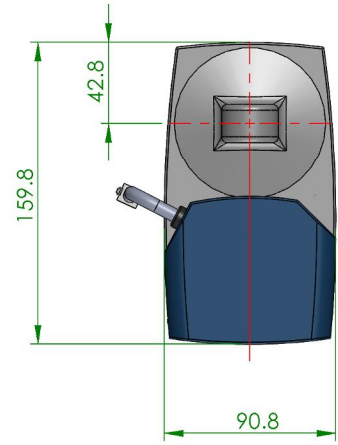
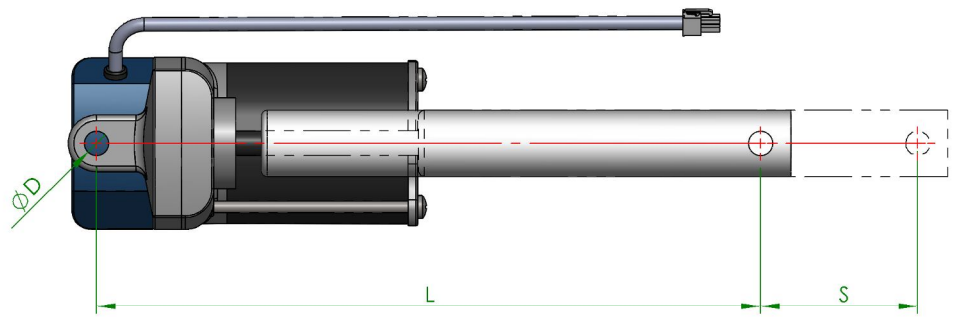
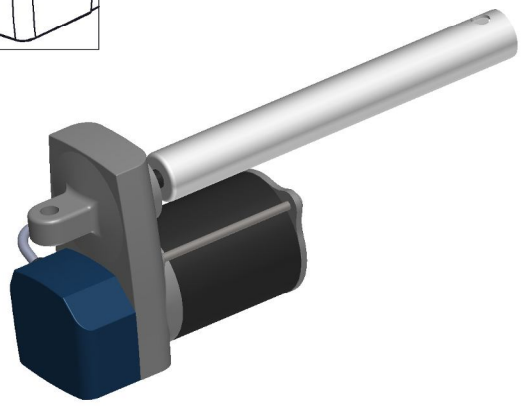
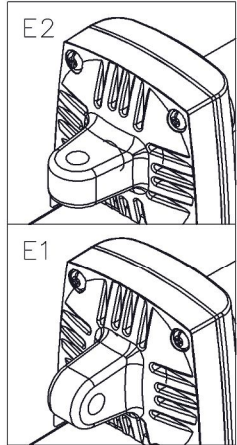
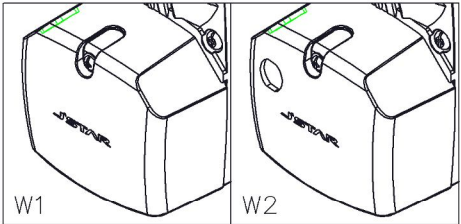


UNLESS OTHERWISE SPECIFIED
DIMENSIONS ARE IN INCHES

SURFACE FINISH:
REMOVED ALL BURRS
AND SHARP EDGES
SURFACE ROUGHNESS

25 ✓



CONFIDENTIAL AND PROPRIETARY

THIS IS THE PROPERTY OF ADACEL.
IT MUST NOT BE TRADED OR REPRODUCED IN ANY MANNER.
NOR SHALL IT BE SUBMITTED TO OUTSIDE PARTIES FOR
EXAMINATION WITHOUT OUR CONSENT. IT SHALL BE USED
AS A MEANS OF REFERENCE TO DO WORK DESIGNED OR
FURNISHED BY US.

DESIGN	Q A
CHECK	APP'D
	DATE

JS25
PART NAME
AC MOTOR

PART NO.		REV.	
WEIGHT	g		
QUANTITY	1	SHEET	1 OF 1
SCALE	1:10		

Adacel Technologies Ltd.
Shanghai Manufacturing Center
Tel: +86-512-82757188
E-mail: info@adaceltech.com

UNLESS OTHERWISE SPECIFIED	
SECURITY: NET	
CLASS	0-2 10.0 2-5 10.5 5-12 10.75 12-21
MODEL	